



EON[®] power10

EON[®] JBL

10 inch Powered Two-way Speaker System

Key Features:

- ▷ Light Weight - Only 27 lb.
- ▷ Internally Bi-amplified (Built-In Active Crossover, 60 Watt LF Amplifier and 25 Watt HF Amplifier)
- ▷ Internal Amplifiers and Transducers Are Carefully Matched for Optimum Performance and Reliability
- ▷ Proprietary 10" Differential Drive[®] Low Frequency Transducer Delivers High Power Handling, Low Distortion and Light Weight
- ▷ 1" Pure Titanium Diaphragm Compression Driver with Patented Diamond Surround
- ▷ 90° x 60° Controlled Directivity Horn Provides Flat Power Response
- ▷ Switchable Mic or Line Level Input
- ▷ Thermomaster[®] Total Thermal Management System[®] - Die-Cast Aluminum Baffle Provides More Effective Cooling for Speaker and Amplifiers
- ▷ Rugged Polypropylene Enclosure, Balanced for Easy Carrying, Integrated Handle
- ▷ Enclosure Angles Allow the Power10 to be Tilted Back for Use As Stage Monitor
- ▷ Integral Attachment Points for Optional Wall-Mount Brackets (EON BRK2, BRK4-10)
- ▷ 35mm Pole Mount With Tension Screw

Specifications:

Performance:

Frequency Range (-10 dB):	60 Hz to 18 kHz
Frequency Response (-3 dB):	80 Hz to 16 kHz
Enclosure Alignment:	6th Order
Long-Term Continuous SPL ¹ :	112 dB
Long-Term Peak SPL ² :	118 dB

Controls & Indicators:

Switches & Controls:	Level Control Mic/Line Switch
Indicators:	Power LED (front panel) Signal Present LED Peak Level LED Mic/Line Status LED
Power Switch:	On Rear Panel

Input:

Audio Input / Connectors:	One Male XLR-type, Balanced Differential for Line and Mic. One Female XLR-type for Loop-Through to Additional EON Powered Speaker or Subwoofer.
Input Impedance:	Line: 20k Ω Mic: 2k Ω
Sensitivity:	Line: +4 dBu Mic: -60 dBu
Maximum Input Level:	Line: +28 dBu Mic: 0 dBu

Protection:

Input Protection:	RFI and Level protected
Over Excursion Protection:	2nd order high-pass filter
Low Line Voltage Shut Down:	At 50% of nominal line voltage
Thermal Protection:	Amp shut down and auto reset
Muting:	Five seconds at turn-on

LF Transducer:

Diameter:	250 mm (10 in)
Power Handling ³ :	125 Watts

HF Driver & Horn:

Diaphragm Diameter:	25 mm (1 in)
Power Handling:	20 Watts
Dispersion Angle (H x V):	90° x 60°

Product Description:

The EON Power10 is a powerful, full-range speaker system incorporating a 60 watt power amplifier for the low frequency section and a 25 watt power amplifier for the high frequency driver. The system is a light weight, rugged, roadworthy speaker enclosure that incorporates an aluminum die-cast baffle and a structural polypropylene enclosure designed for portable applications. Careful attention has been paid to ensure that the overall system frequency response remains smooth and consistent both on and off axis, which is essential for good articulation and accurate reproduction of speech.

Unique to all of the EON series low frequency cone transducers is a proprietary Differential Drive® voice coil scheme which reduces the weight of the magnetic assembly, while improving the heat dissipation of the transducer. For the first time in the industry, it is now possible to achieve high power handling, low distortion *and* light weight in the same package.

A newly designed high frequency driver with a 1 inch diameter diaphragm of responsive 1 mil thick titanium provides extended high frequency response and low distortion. Uniform on- and off-axis response is ensured by coupling the driver to a new low distortion Bi-radial high frequency horn. Active high frequency driver protection is incorporated into the unit to ensure HF driver reliability. The use of advanced CAD magnetic modeling resulted in a lower weight magnetic assembly which further reduces the system weight.

Designed for multipurpose usage, the EON Power10 may be driven from a mixer or directly from a microphone. Connectors allow daisy-chaining of two or more speaker systems. Both signal present and peak overload LED indicators are supplied. The system is protected from excessive input signals, RFI and severe overdrive.

The back of the cabinet is designed so that the system can be leaned back for use as a stage monitor. A 35mm pole mount socket is provided. Optional fixed and adjustable angle wall-mount brackets (EON BRK2, BRK4-10) allows for safe installation.

¹ Per industry practice, "Long-Term Continuous SPL" capability is computed from the power amplifier output capacity, the LF driver's 1W/1m sensitivity and its long-term power capability. This is the level the speaker can sustain for a minimum of 100 hours continuously. In this model the HF driver's Long-Term Continuous SPL capability is 2dB higher.

² "Long-Term Peak SPL" capability is computed by adding 6 dB to the long-term rating to account for momentary peaks in program material, per 6dB crest factor in the continuous pink noise test signals.

³ Continuous band-limited (50 - 500 Hz) pink noise input with 6 dB crest factor for 100 hours.

JBL continually engages in research related to product improvement. New materials, production methods, and design refinements are introduced into existing products without notice as a routine expression of that philosophy. For this reason, any current JBL product may differ in some respect from its published description, but will always equal or exceed the original design specifications unless otherwise stated.

(continued specifications from page 1)

AC Line Input Voltage:

Nominal Input Voltage:	US:	120 V, 60 Hz
	Europe:	230 V, 50 Hz
	Japan:	100 V, 50-60 Hz
	Korea:	220 V, 60 Hz

AC Input Connector: IEC Male Connector

Loop-Through to Additional EON Powered Speaker: IEC Female Connector

LF Power Amplifier:

Rated Power: 60 Watts

Rated THD: 0.1%

HF Power Amplifier:

Rated Power: 25 Watts

Rated THD: 0.1%

General:

Baffle: Die-Cast Aluminum

Enclosure: UL 94HB Polypropylene

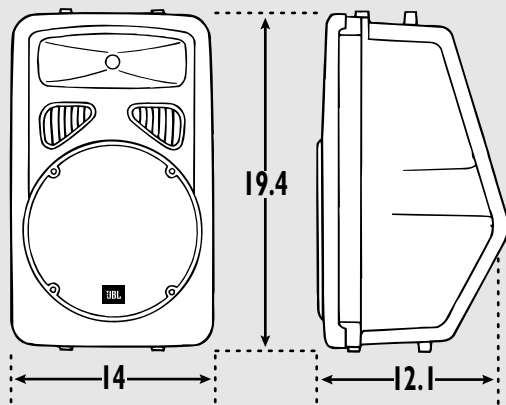
Dimensions (H x W x D): 19.4 x 14 x 12.1"

(mm): 493x356x307

Internal Volume: 1.0 cu. ft./28.3 liters

Weight: 27 lb./11.3 kg

EON POWER10 DIMENSIONS



** Dimensions in inches



JBL Professional
8500 Balboa Blvd.
Northridge, CA 91329
www.jblpro.com

A Harman International Company